

DRY BATTERY

DRY | CONVENTIONAL

REF **6N11A-1B**



6v VOLTAGE - v

11.6Ah CAPACITY - Ah (20Hr)

11Ah CAPACITY - Ah (10Hr)

TECHNOLOGY

- Lead acid dry charged construction (absorbed acid)
- No acid in cells, must be filled with acid before use
- 6 & 12V batteries

FEATURES

- Upright installation only
- Has to be checked periodically and refilled with water if necessary
- Internal gas emission through venting hole
- Handle with care to prevent acid spillage
- Regular life duration
- Does not need to be recharged while stocked

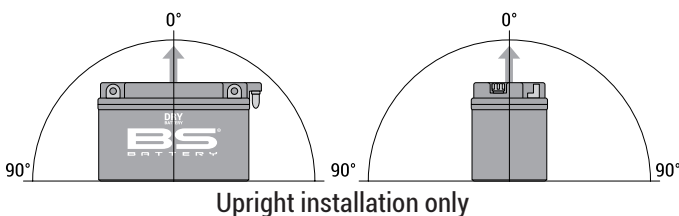
UPGRADE FOR

-

WEIGHT

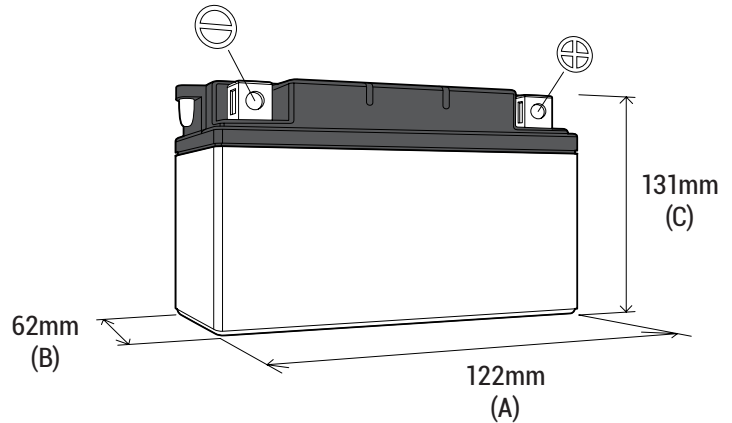
Battery (with acid): Approx 2.01kg

MOUNTING ANGLE

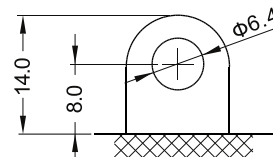


DIMENSIONS

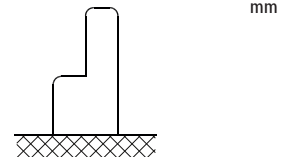
Length (A): 122±2mm
 Width (B): 62±2mm
 Container height: 131±2mm
 Total height (C): 131±2mm



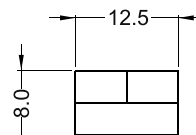
TERMINALS



FRONT



SIDE



TOP