

DRY BATTERY

DRY | CONVENTIONAL

REF BB16CL-B



12V VOLTAGE - V

250A CCA - A

20Ah CAPACITY - Ah (20Hr)

19Ah CAPACITY - Ah (10Hr)

TECHNOLOGY

- Lead acid dry charged construction (absorbed acid)
- No acid in cells, must be filled with acid before use
- 6 & 12V batteries

FEATURES

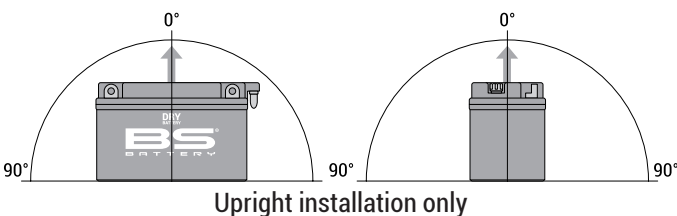
- Upright installation only
- Has to be checked periodically and refilled with water if necessary
- Internal gas emission through venting hole
- Handle with care to prevent acid spillage
- Regular life duration
- Does not need to be recharged while stocked

UPGRADE FOR

WEIGHT

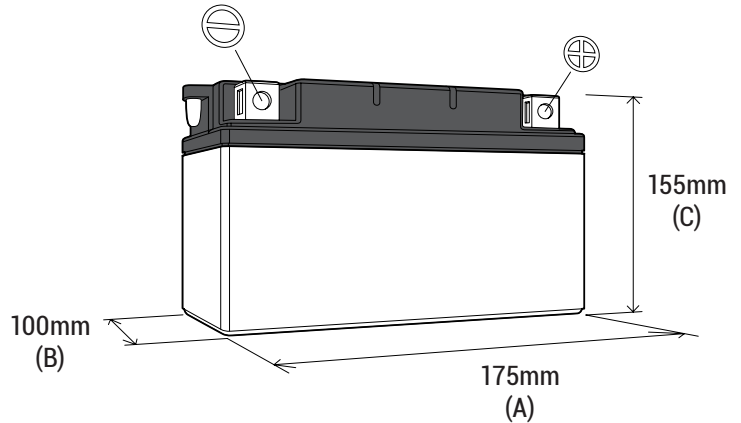
Battery (with acid) : Approx 6.04kg

MOUNTING ANGLE



DIMENSIONS

Length (A) : 175±2mm
 Width (B) : 100±2mm
 Container height : 175±2mm
 Total height (C) : 175±2mm



TERMINALS

